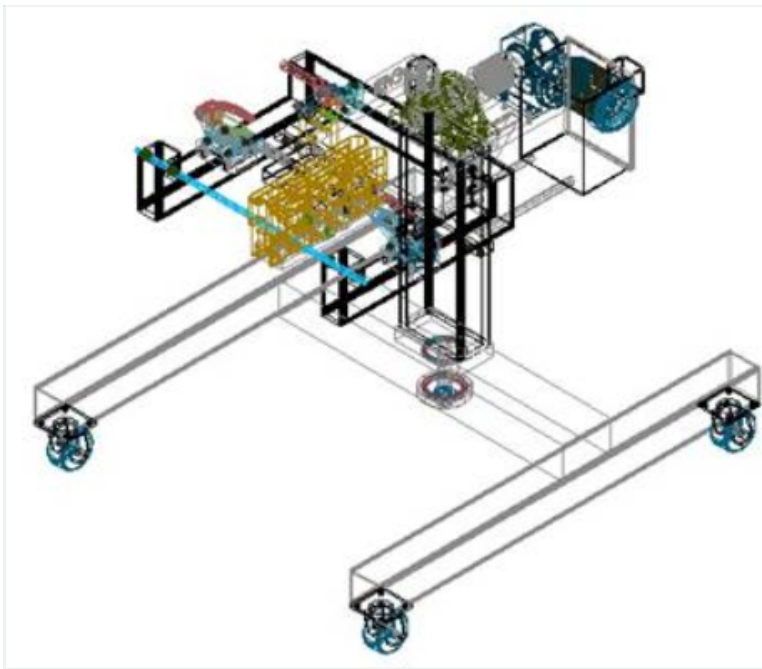
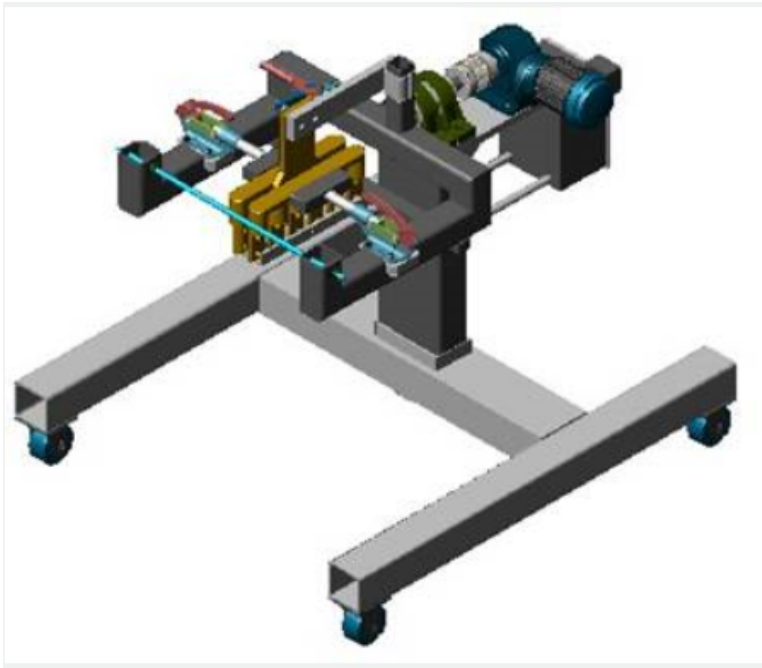


Flatten Objects

2682 GstarCAD MY /KW November 30, 2021 [Workflow](#) 0 971

Flatten creates a 2D representation from a 3D model or you can use it to force the thickness and elevations of selected objects to 0.



Online URL: <https://www.kb2.gstarcad.com.my/article.php?id=2682>