

Region Scale

2675 GstarCAD MY /KW November 18, 2021 [Workflow](#) 0 911

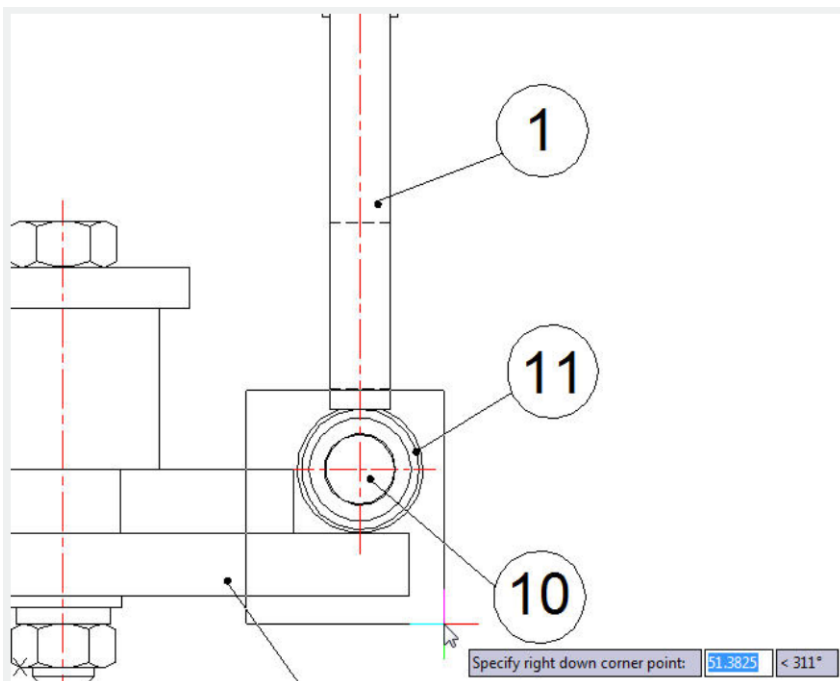
You can select a region of a drawing to be cut and copied to a new location.

Menu : Express tools>Modify>Region Scale

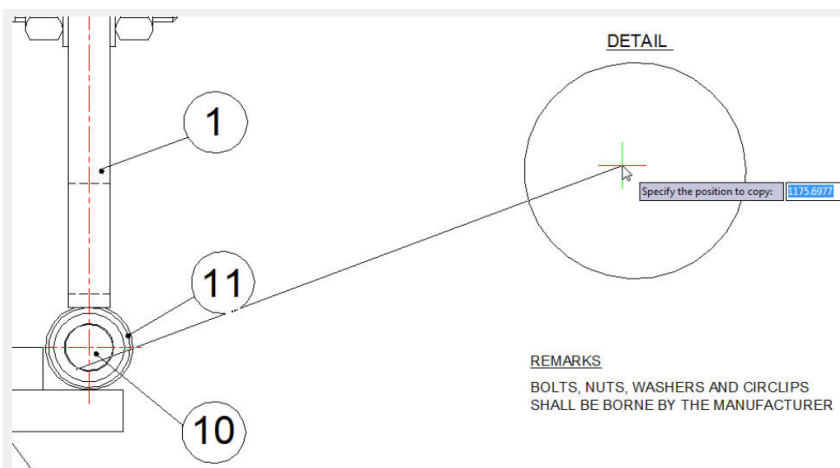
Command Entry : ICAD_DYJT

Command line prompts as follows:

Specify left up corner point for full-page proof: Select a region from left up to right down corner

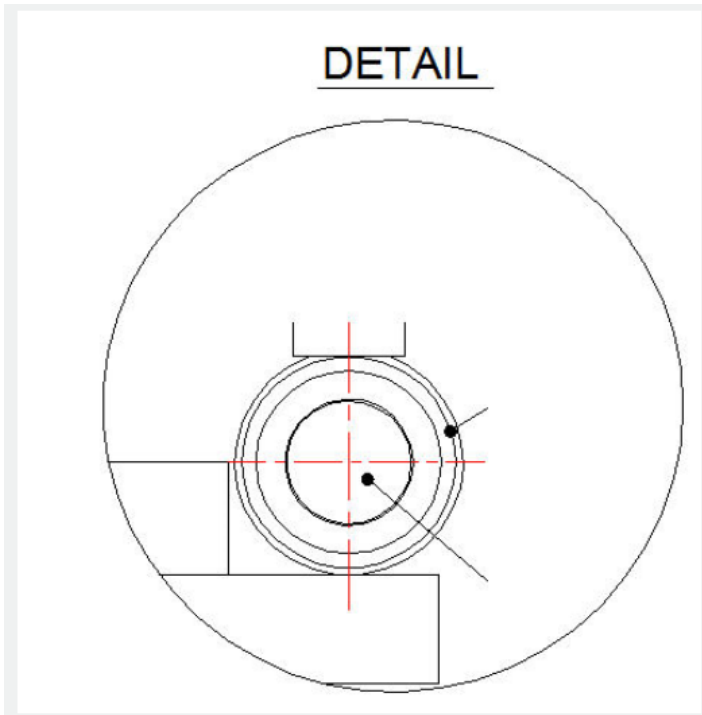


Specify the position to copy: Specify any place you want to copy to the selected region



Input zoom scaling, the block and text will zoom together <Enter- No Zoom>:Press Enter to finish the

operation



Online URL: <https://www.kb2.gstarcad.com.my/article.php?id=2675>