

Dimstyle Export

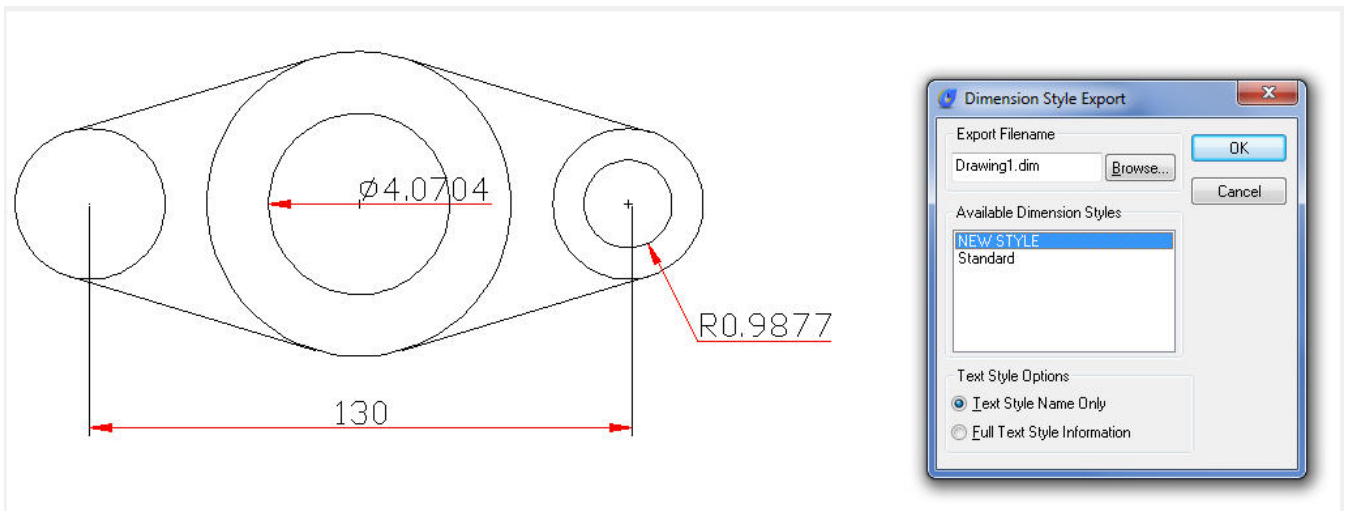
2658 GstarCAD MY /KW November 15, 2021 [Workflow](#) 0 835

Exports named dimension styles and their settings to an external file.

Menu : Express>Dimension>Dimstyle Export

Command Entry : DIMEX

Executing this command, starts the following dialog box :



Export Filename

Creates a DIM file. Enter the DIM file name or select Browse to locate the file. If the file does not exist, it is created. If the file does exist, a prompt requests permission to overwrite. The new file is an ASCII file.

Available Dimension Styles

Selects the dimension styles to write to the ASCII file. The current dimension styles are displayed. Each selected style is written to the file indicated in the Export Filename group.

Text Style Options

Saves either the dimension's Full Text Style Information or the Text Style Name Only to the ASCII file.

Note : Dimstyles are created and saved with the DDIM command. You must select at least one Dimstyle for the export to be successful.

Online URL: <https://www.kb2.gstarcad.com.my/article.php?id=2658>