

Update Dimension

2657 GstarCAD MY /KW November 12, 2021 [Workflow](#) 0 1117

Updates any other dimension(s) to the current dimension style you want to apply.

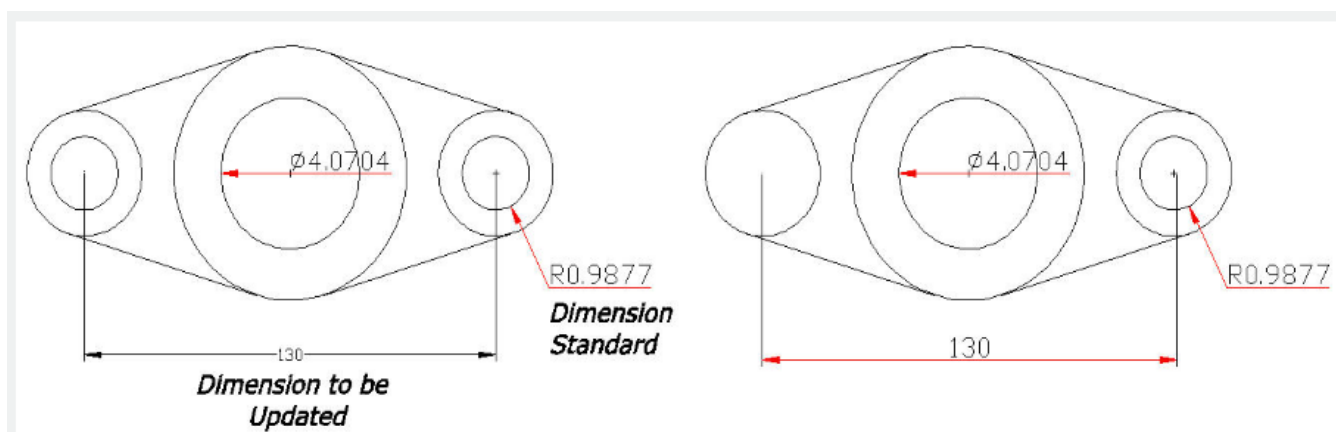
Menu: Express>Dimension>Update Dimension

Command Entry: DIMUPDATE

Command line prompts as follows:

Select a dimension for standard: Select a dimension as a base

Select a dimension, ensure update the dimension style: Select dimension(s) to be update



Online URL: <https://www.kb2.gstarcad.com.my/article.php?id=2657>