

# Change Dimension Text

2654 GstarCAD MY /KW November 12, 2021 [Workflow](#) 0 1159

Change the dimension content into the specified value

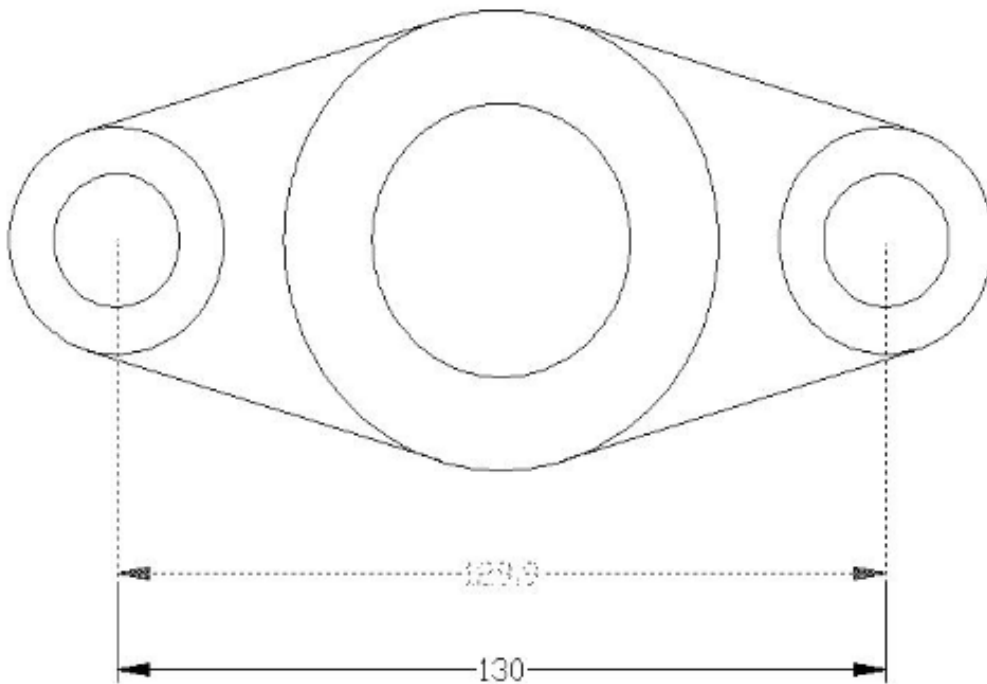
**Menu** : Express>Dimension>Change Dimension Text

**Command Entry** : CHGDIMTXT

Command line prompts as follows:

Select dimension objects: Select a dimension

Currently label content <129.9>, input new dimension text <practically measure dimension>: Type a new value (130)



Online URL: <https://www.kb2.gstarcad.com.my/article.php?id=2654>