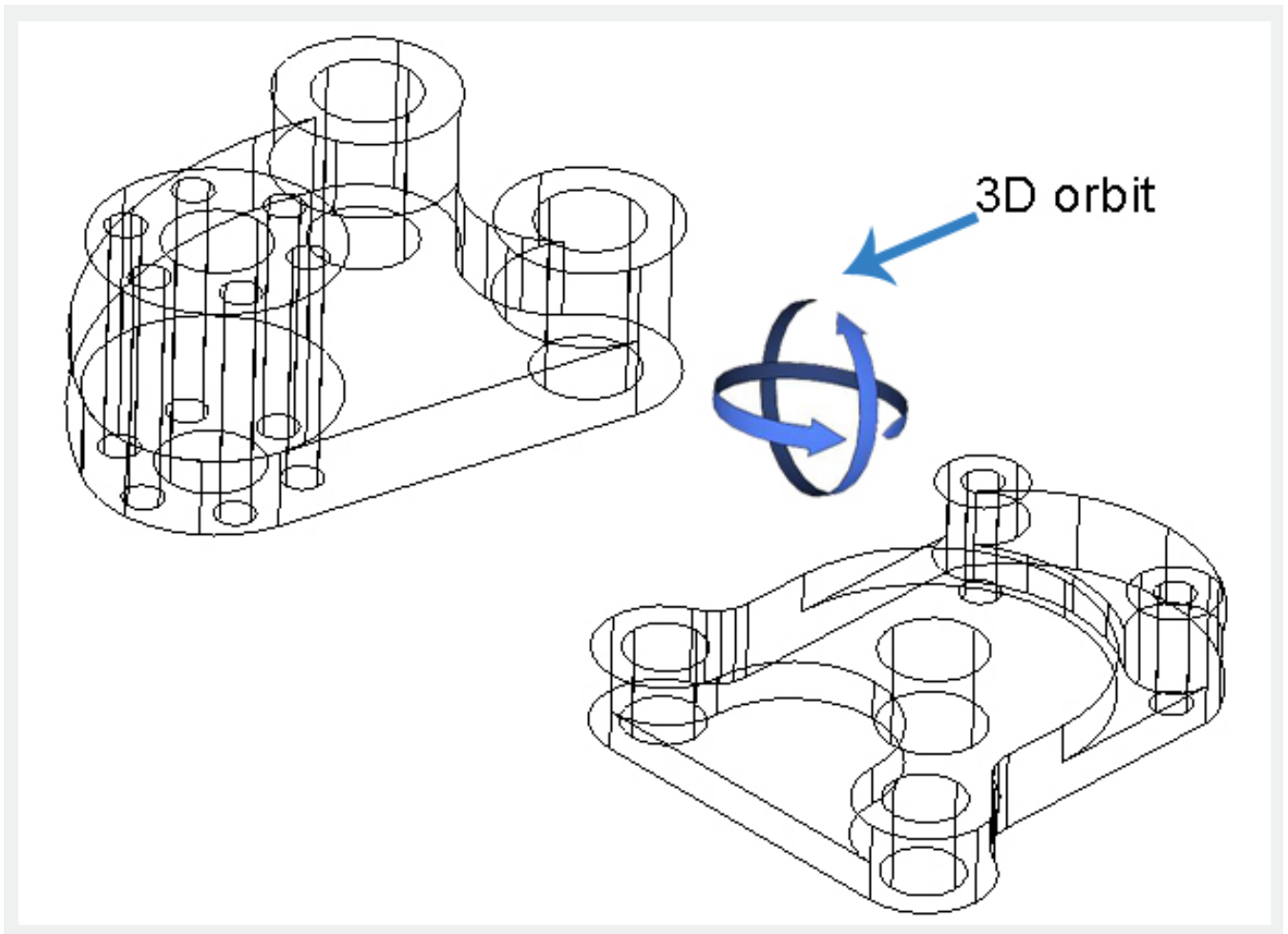


3D Orbit

2467 GstarCAD MY /KW August 30, 2021 [Workflow](#) 0 1503

By using the mouse or another pointing device, you can move a drawing to view the drawing object from different angles.



When you activate [3D navigation](#) you can [PAN](#) and [ZOOM](#) at the same time. During a 3D navigation operation, it is not allowed to manage or edit entities in the drawing

Press ENTER, ESC or click the right-mouse button to display the shortcut menu, you can close 3D navigate by selecting "Exit" in the shortcut menu.

Note: [Raster Image](#) and [OLE OBJECT](#) can not be displayed in the 3D navigation view.

Online URL: <https://www.kb2.gstarcad.com.my/article.php?id=2467>