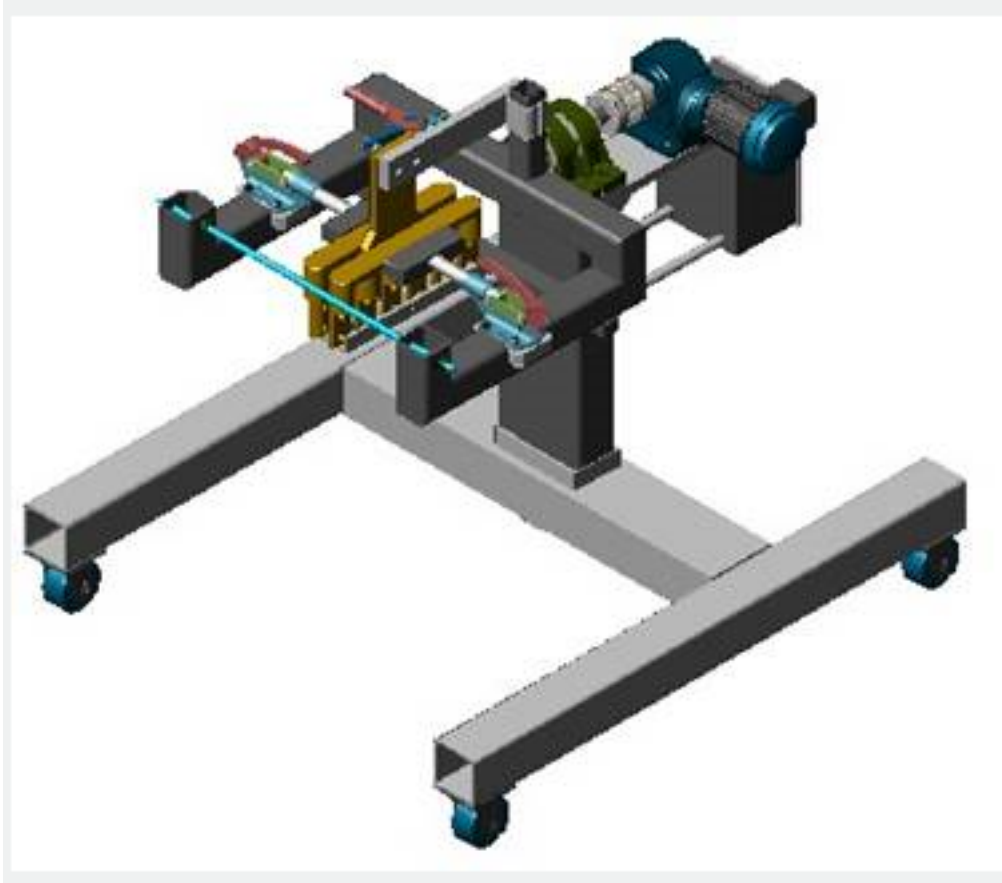
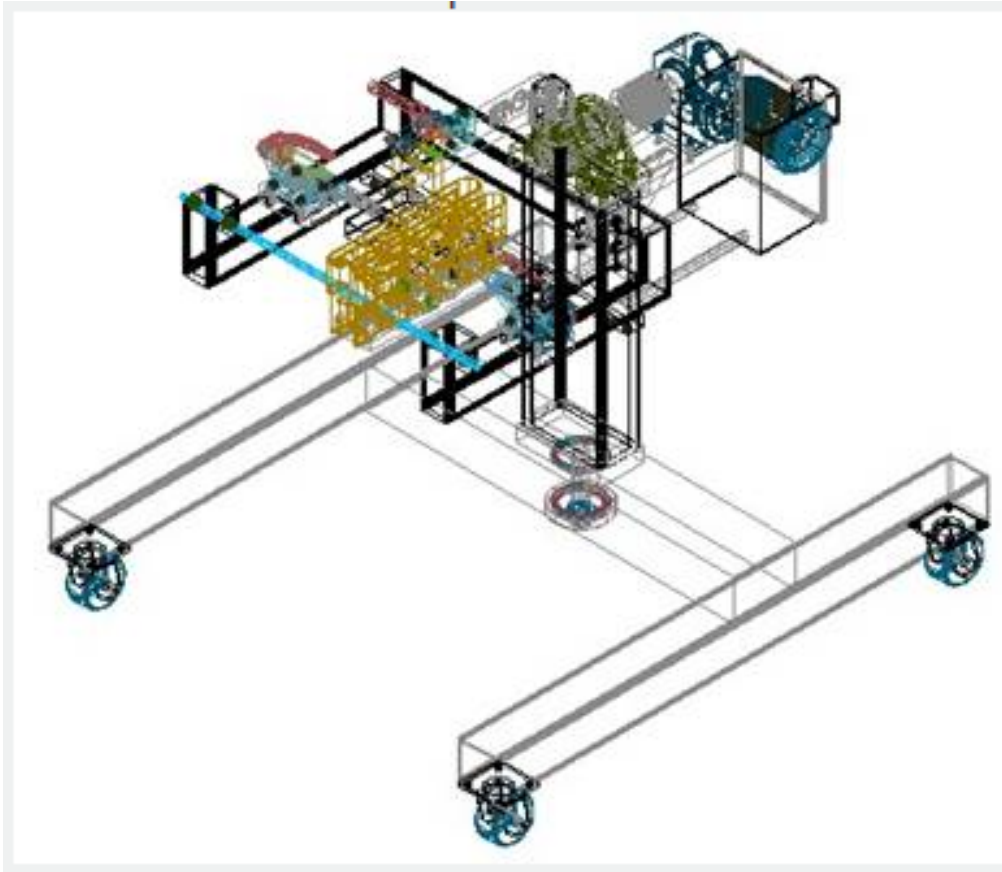


## FLATTEN command

2131 GstarCAD MY /KW August 16, 2021 [CAD Commands](#) 0 1769

The **FLATTEN** command used to creates a 2D representation from a 3D model or you can use it to force the thickness and elevations of selected objects to 0.





Online URL: <https://www.kb2.gstarcad.com.my/article.php?id=2131>