

FILL command

2126 GstarCAD MY /KW August 13, 2021 [CAD Commands](#) 0 1099

The **FILL** command is used to control the filling of objects such as hatches, 2D solids, and wide polylines.

Command Access:

Command : FILL (or 'fill for transparent use)

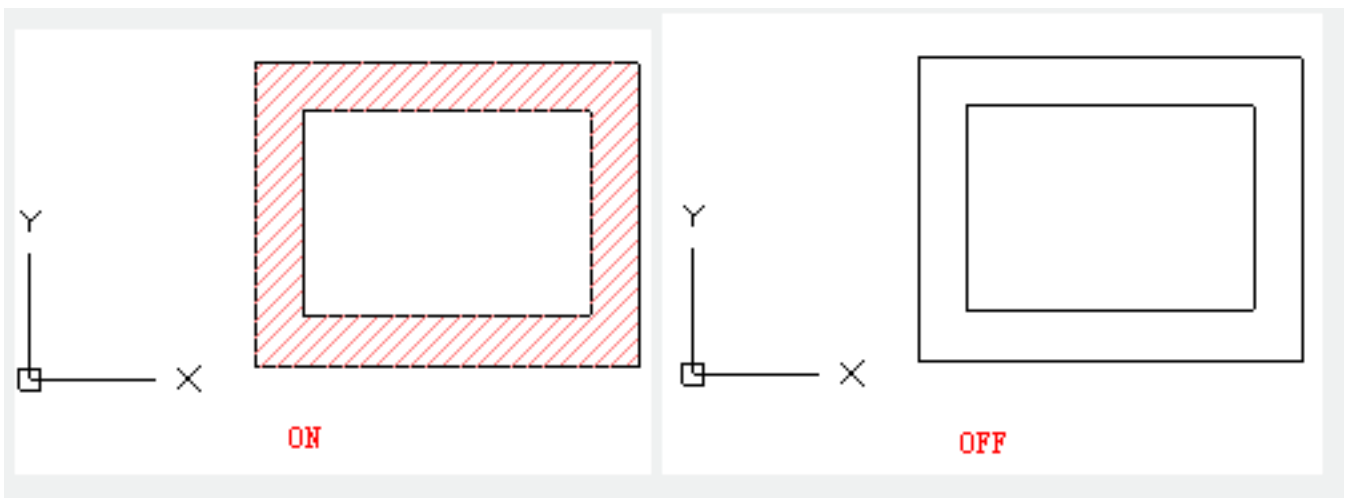
Command Prompts:

Enter mode [ON/OFF] :

Relative Glossary:

ON : Turn on the FILL mode. In order to display 3D objects, the extruding direction must be parallel with current observation direction and the hidden lines must be visible.

OFF : Turn off the FILL mode. Only display and print the profile of objects. The FILL mode only has effect on existing objects rather than Line weight.



Online URL: <https://www.kb2.gstarcad.com.my/article.php?id=2126>